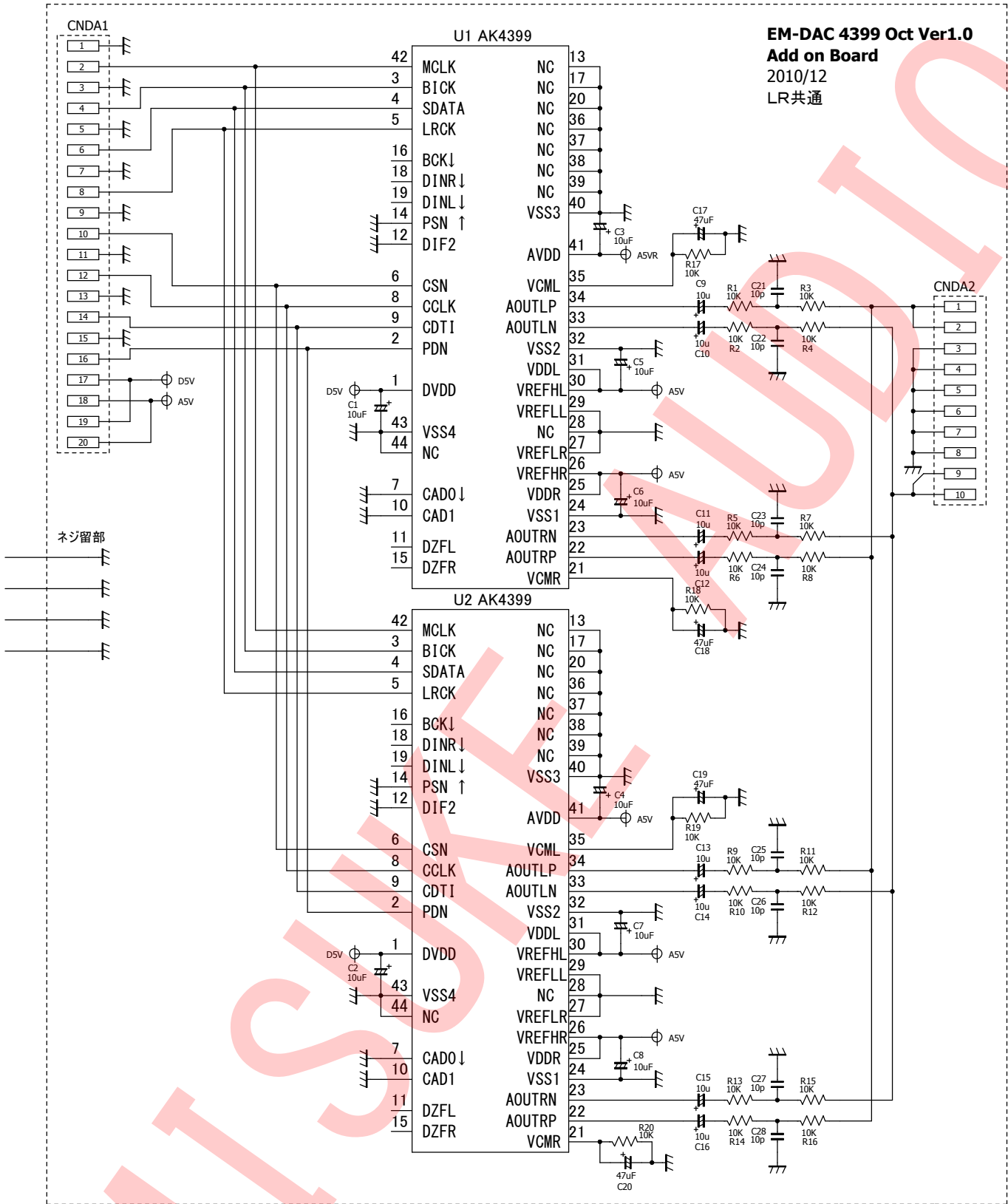


EM-DAC 4399 Oct Ver1.0

Add on Board

2010/12

LR共通



EM-1