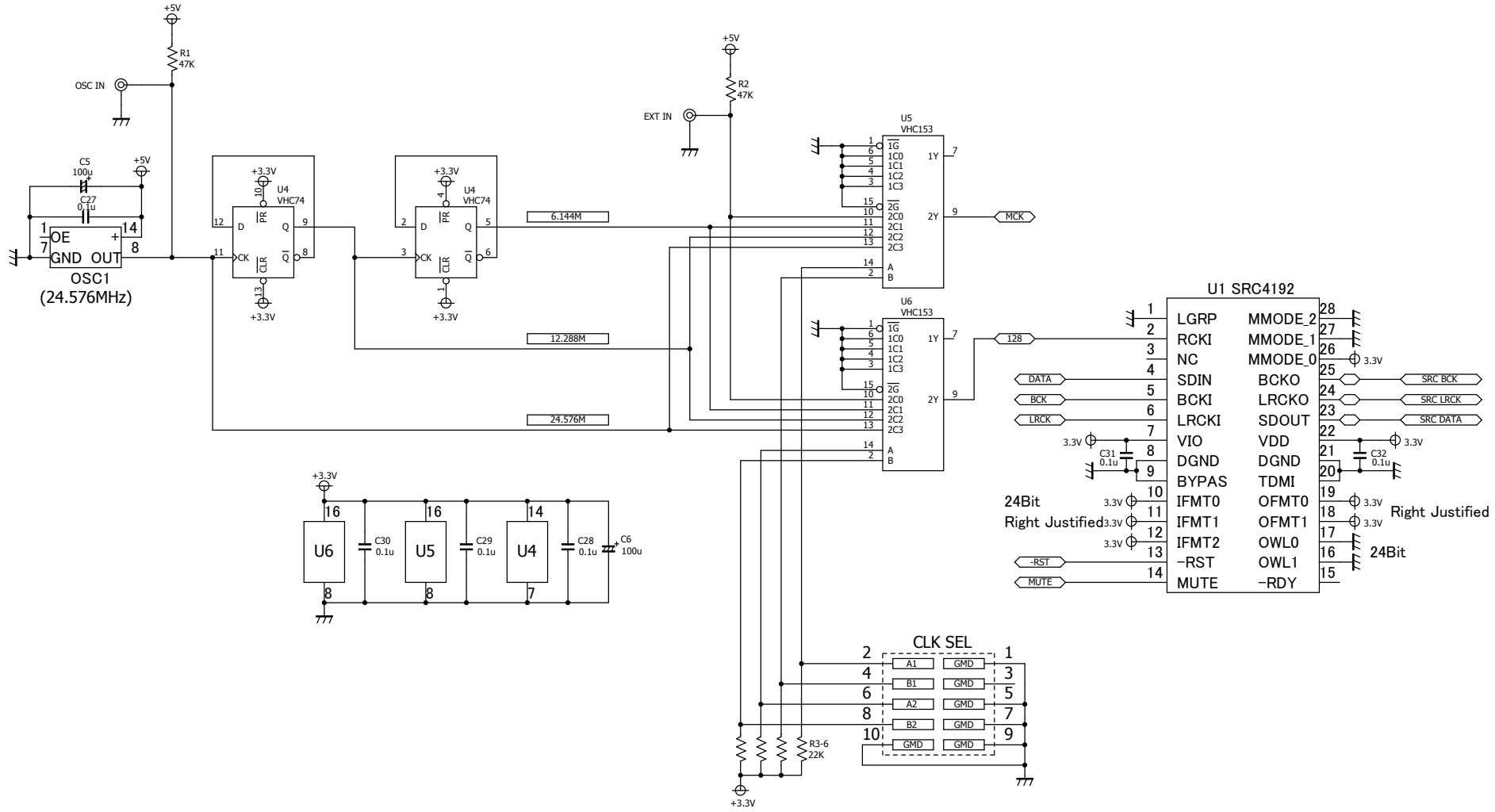


DAC Five Ver3
D/A 回路図 1/2
EMISUKE AUDIO
2007/11



| U1 SRC4192 | | | |
|------------|-------|----|---------|
| 1 | LGRP | 28 | MMODE_2 |
| 2 | RCKI | 27 | MMODE_1 |
| 3 | NC | 26 | MMODE_0 |
| 4 | SDIN | 25 | BCKO |
| 5 | BCKI | 24 | LRCKO |
| 6 | LRCKI | 23 | SDOUT |
| 7 | VIO | 22 | VDD |
| 8 | DGND | 21 | DGND |
| 9 | BYPAS | 20 | TDMI |
| 10 | IFMT0 | 19 | OFMT0 |
| 11 | IFMT1 | 18 | OFMT1 |
| 12 | IFMT2 | 17 | OWL0 |
| 13 | -RST | 16 | OWL1 |
| 14 | MUTE | 15 | -RDY |

